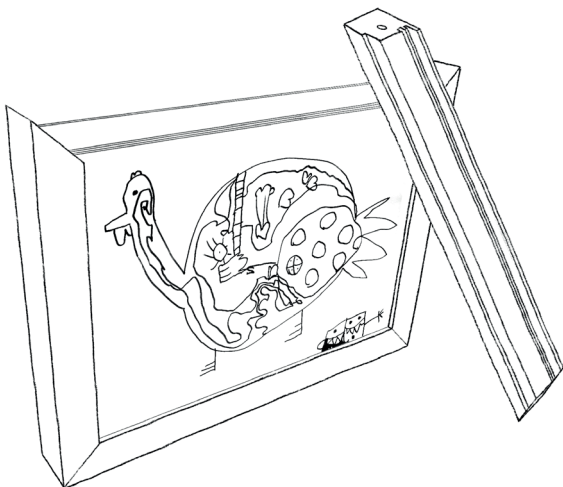


# Jamu

MANUAL



## TOOLS

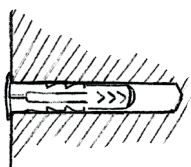
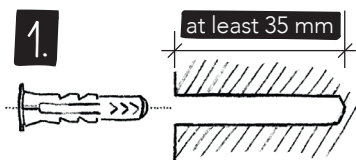


Ø 5 mm drill

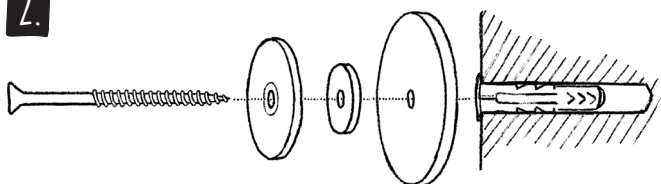


To avoid injury, the frame should only be operated by / or with an adult.

1.

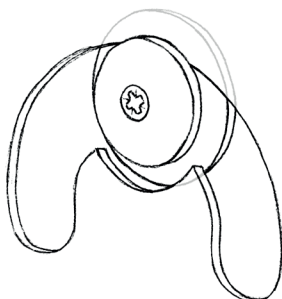


2.

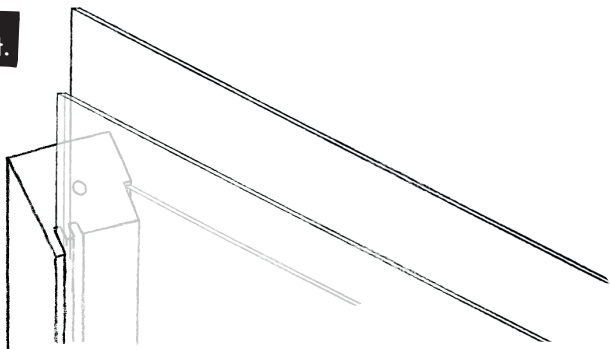


3.

You can now hang the frame on the wall, open it and fill it.

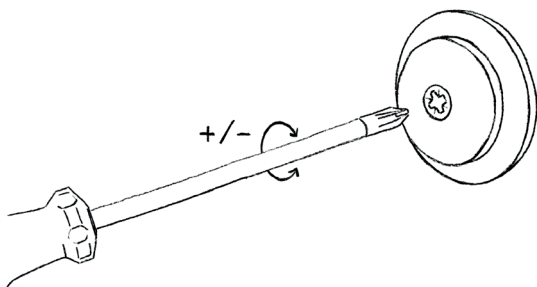


4.



5.

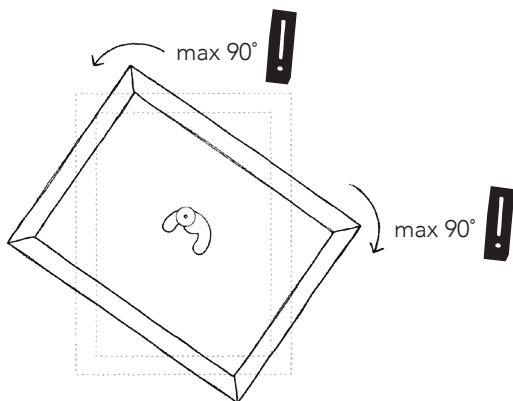
You can adjust the bracket by tightening the screw more or less. As it suits you best.



6.

The JAMU can be hung or set up in both portrait and landscape format.

**But never turn the frame more than 90°.** Otherwise the glass could slip out.



SHOW US  
YOUR JAMU

We'd love to hear from you. Send us pictures of your JAMU as you use it.

Post your JAMU on Instagram using the hashtag #myjamu and tag us @jamu.products. We are giving away a frame of your choice and with a little luck you might win the next one.

PRODUCTION

The JAMU are produced in the **Züriwerk in Bubikon ZH.** The Züriwerk is committed to ensuring that people with disabilities can participate and participate in social life on an equal and self-determined basis. It offers people with predominantly cognitive impairments diverse and individualized opportunities to live, work and learn a profession. They also receive specific advice, support and assistance in all areas of life.

JAMU

**JAMU Products GmbH**

8606 Nänikon

CH-8606 Nänikon

[www.jamu-products.ch](http://www.jamu-products.ch)